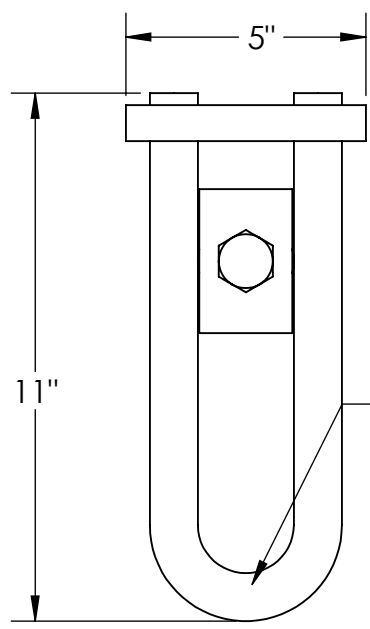


# STEEL LOWER BAIL - SM-LB-40

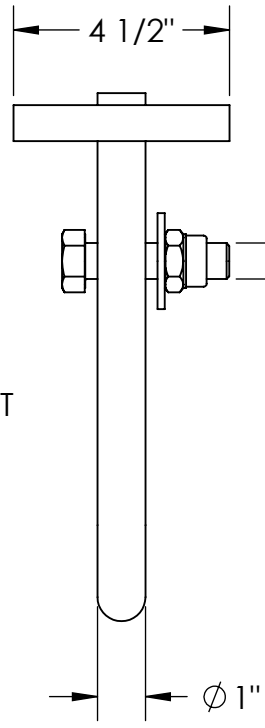
APPROX WEIGHT: 11.69 lbs.  
 DOES NOT INCLUDE WEIGHT OF POWER OR PACKAGING!!!

\*\*\* ANY ADDITIONS, DELETIONS, OR OMISSIONS MUST BE CORRECTED ON THIS DRAWING AS THIS DRAWING WILL BE CONSIDERED ALL INCLUSIVE \*\*\*

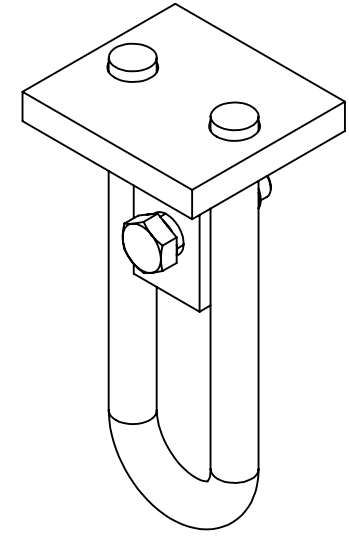
ALL GRAPHICS PROVIDED ARE FOR REFERENCE ONLY. IF CERTAIN DIMENSIONS ARE CRITICAL PLEASE VERIFY THOSE DIMENSIONS WITH YOUR SALESPERSON



LOAD ATTACHMENT  
 MADE HERE ON  
 LOWER BAILS



Ø 3/4" BOLT (REMOVABLE)  
 FOR POSITIONING BAIL  
 IN SPREADER BEAM



## STANDARD FEATURES

- MODEL NUMBER IS SM-LB-40
- FOR USE WITH ADJUSTABLE SPREADER BEAM SBM-40
- OVERALL WIDTH IS 5"
- OVERALL LENGTH IS 4 1/2"
- OVERALL HEIGHT IS 11"
- MAX CAPACITY IS 2,000 LBS PER BAIL
- INCLUDES REMOVABLE Ø 3/4" BOLT FOR POSITIONING
- TOUGH BAKED IN POWDER COATED BLUE FINISH

## SPECIAL FEATURES

NONE

DIMENSION TOLERANCE ± 1/4"

<b>APPROVAL</b>	I, THE UNDERSIGNED, AGREE THAT THE PRODUCT AS REPRESENTED SATISFIES DESIGN AND DIMENSION REQUIREMENTS. I ALSO ACKNOWLEDGE MY DUTY TO CONFIRM PRODUCT AND INSTALLATION COMPLIANCE WITH ALL APPLICABLE FEDERAL, STATE AND LOCAL REGULATIONS AND STANDARDS.	
	<b>UNITS REQUIRING APPROVAL DRAWINGS OR MODIFIED ARE NON-RETURNABLE</b>	
	[ ] As drawn	[ ] As marked
	Signed: _____	Date: _____
	Printed Name: _____	
	<i>LEAD TIME WILL START UPON RECEIPT OF SIGNED APPROVAL DRAWING</i>	

DISTRIBUTOR'S NAME:		P.O.#
VESTIL MANUFACTURING		X
DRAWN BY: MTS		W.O.#
DATE: 10/03/2023		X
REFERENCE: X	SCALE: 1:4	SALES: X
QUOTED LEAD TIME: X	QUOTE # X	FILE NAME:
		43-007-037